

ionnic |  **Class 1 Amber LED Rotating Beacon**
#101000

www.ionnic.com

DESCRIPTION

12 - 36 Volt SAE Class 1 rated aerodynamic low profile amber beacon. Made from polycarbonate lens and epoxy filled base, delivering a rugged shock resistant beacon.

Features 5 different flash patterns, powered by 12 x 3W LED's with included dimming function and 2 simulated rotating options (120FPM). Environmentally sealed (IP67), dust and water resistant. Complies to Australia's heavy vehicle regulations.

Ideal to suit all heavy duty applications in a commercial or construction environments



5 Year LED warranty

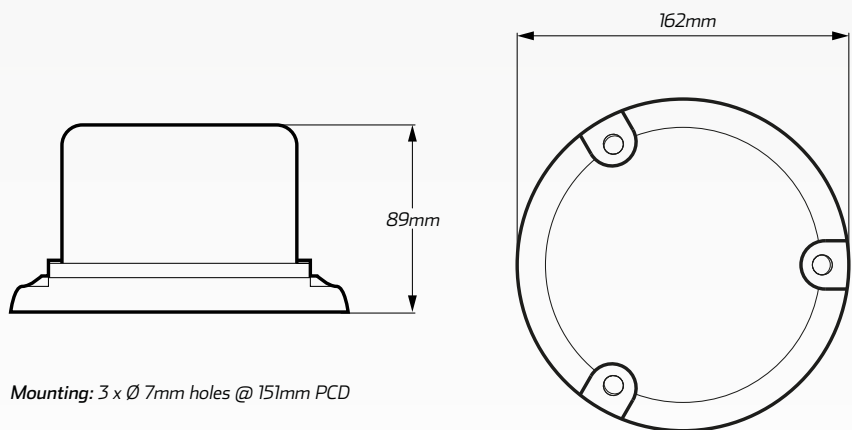
TECHNICAL SPECIFICATIONS

Voltage	• 12 - 36 Volt	Mounting	• 3 bolt mount
Current Draw	• 2.8A @ 12 Volt	Colour	• Amber
IP Rating	• IP67 rated	Dimensions	• 162mm (D) x 89mm (H)
Lens Material	• Polycarbonate lens	Flash Patterns	• 5 flash patterns
Base Material	• Aluminium, epoxy sealed	Operating Temperature	• -30°C to 50°C
LED Count	• 12 x 3W LED's	Approvals	• ECE R65, SAE J845 Class 1

FLASH PATTERNS

No.	Flash Pattern
1	• Rotating (default)
2	• Simulated rotating
3	• Full flashing (double flash)
4	• Full flashing (quad flash)
5	• Full flashing (single flash)

DIMENSIONS



Mounting: 3 x Ø 7mm holes @ 151mm PCD