

# QVEE Fork Crimp Terminals

Sold in Packs of 100

AUTOMOTIVE | MINING | MARINE

www.qvee.com.au

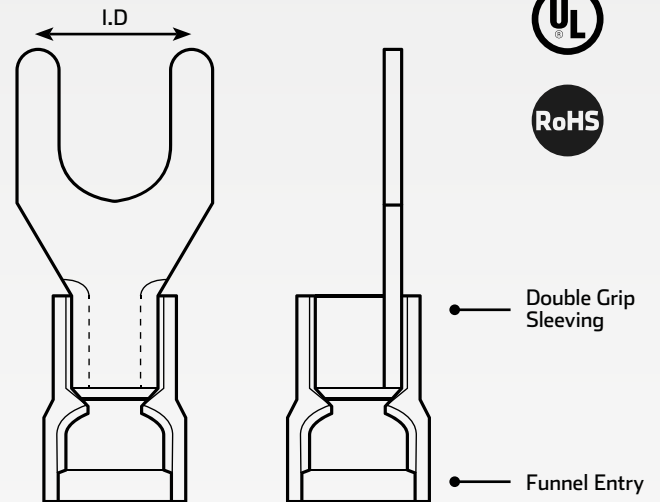
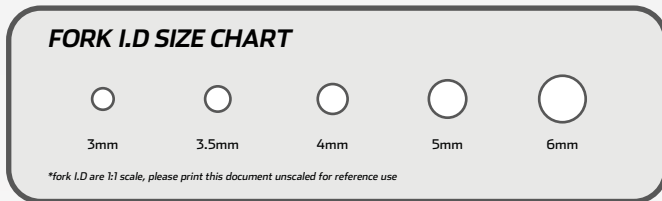


## DESCRIPTION

QVEE's crimp terminals are all copper sleeved. They are manufactured to the highest standards and conform to UL specifications. Our premium copper sleeve range (also known as "double grip") are funnel entry to aid in the speed of termination and prevent wire strands folding back.

## TECHNICAL SPECIFICATIONS

Material	• Copper with vinyl insulation
Insulation Colour	Maximum Electrical Rating
Red – 3mm Cable	• 75°C, 600 Volts, 19 Amp Max
Blue – 4mm Cable	• 75°C, 600 Volts, 27 Amp Max
Yellow – 5-6mm Cable	• 75°C, 600 Volts, 48 Amp Max



## PART NUMBERS

Part No.	Insulation Colour	Fork I.D	Auto Cable Size	Description
CT07/100	• Red	• 3mm	• 3mm (1.13mm <sup>2</sup> )	• Red fork terminal with 3mm eyelet, suits 3mm automotive cable
CT08/100		• 4mm		• Red fork terminal with 4mm eyelet, suits 3mm automotive cable
CT09/100		• 5mm		• Red fork terminal with 5mm eyelet, suits 3mm automotive cable
CT27/100	• Blue	• 3.5mm	• 4mm (1.84mm <sup>2</sup> )	• Blue fork terminal with 3.5mm eyelet, suits 4mm automotive cable
CT28/100		• 4mm		• Blue fork terminal with 4mm eyelet, suits 4mm automotive cable
CT29/100		• 5mm		• Blue fork terminal with 5mm eyelet, suits 4mm automotive cable
CT45/100	• Yellow	• 4mm	• 5 - 6mm (2.90 - 4.59mm <sup>2</sup> )	• Yellow fork terminal with 4mm eyelet, suits 5-6mm automotive cable
CT46/100		• 5mm		• Yellow fork terminal with 5mm eyelet, suits 5-6mm automotive cable
CT47/100		• 6mm		• Yellow fork terminal with 6mm eyelet, suits 5-6mm automotive cable