

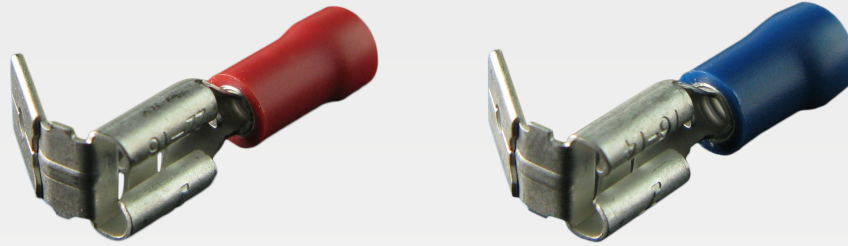
QVEE Piggy Back Crimp Terminals

Sold in Packs of 100



AUTOMOTIVE | MINING | MARINE

www.qvee.com.au



DESCRIPTION

QVEE's crimp terminals are all copper sleeved. They are manufactured to the highest standards and conform to UL specifications. Our premium copper sleeve range (also known as "double grip") are funnel entry to aid in the speed of termination and prevent wire strands folding back.

TECHNICAL SPECIFICATIONS

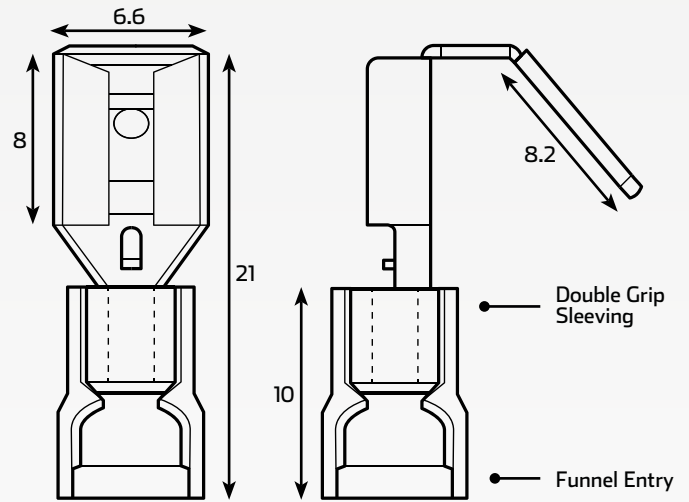
Material	• Brass tin plated with vinyl insulation
Max Electrical Rating	• 105°C, 300 Volts

CT15 Specifications

Wire Range	• 22 - 16 AWG / 0.5 - 1.5mm ²
Wire Size	• 0.25 - 1.65mm ²

CT34 Specifications

Wire Range	• 16 - 14 AWG / 1.5 - 2.5mm ²
Wire Size	• 1.04 - 2.63 mm ²



* All measurements are in mm.

TECHNICAL SPECIFICATIONS

Part No.	Insulation Colour	Spade Width	Auto Cable Size	Description
CT15/100	• Red	• 6.3mm	• 3mm (1.13mm ²)	• Piggy back terminal with 6.3mm spade, suits 3mm automotive cable
CT34/100	• Blue	• 6.3mm	• 4mm (1.84mm ²)	• Piggy back terminal with 6.3mm spade, suits 4mm automotive cable