

# QVEE

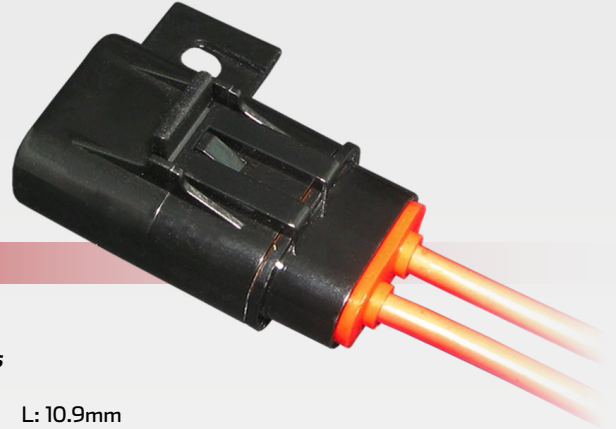
AUTOMOTIVE | MINING | MARINE

## In-Line Waterproof Mini Blade Fuse Holder

#FH1912FBN

www.qvee.com.au

Fuses are not included



### DESCRIPTION

In-line waterproof fuse holder to suit mini blade fuses.  
Pre-wired. Rated 30A @ 12 Volt.

### FEATURES

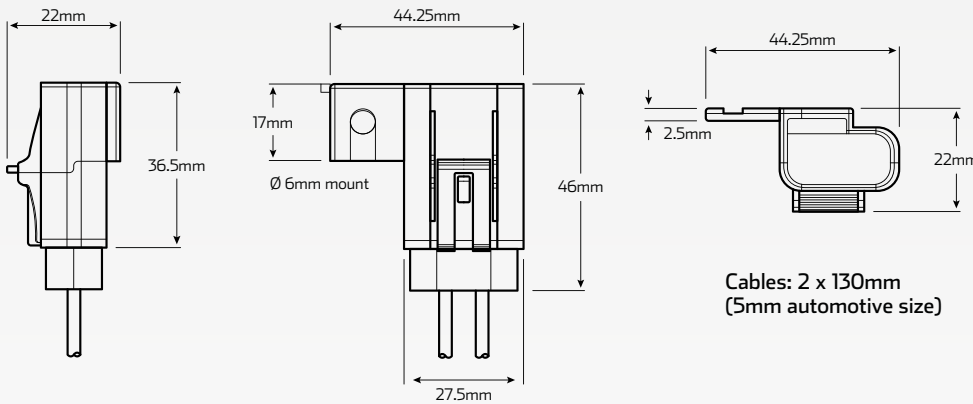
- Suitable for use with mini blade fuse up to 30A
- Equipped with waterproof fuse cover (IP67)
- Comes pre-wired with 5mm automotive cable

### Fuse Dimensions



- L: 10.9mm
- H: 8.8mm
- W: 3.8mm
- Inserts: 7.5mm x 0.81mm

### DIMENSIONS



Cables are still intact and will require cutting prior to assembly\*

\* To avoid warranty issues QVEE recommends our products are fitted by a qualified auto electrician.

Cables: 2 x 130mm  
(5mm automotive size)

### TECHNICAL SPECIFICATIONS

<b>Suitable Fuse</b>	• Mini blade fuse (up to 30A)	<b>Max. Temperature</b>	• 105°C
<b>Current Rating</b>	• 30A @ 12 Volt	<b>Peak Cable Voltage</b>	• 600V AC
<b>Body Material</b>	• Polycarbonate insulation	<b>Cable Material</b>	• Extruded PVC
<b>Body Colour</b>	• Black	<b>Cable Size</b>	• 12 AWG / 5mm auto - 130mm long (both cables)
<b>Contact Material</b>	• Brass tin plated contacts	<b>Weatherproof</b>	• IP67 (when cap is properly in place)
<b>Flammability</b>	• VW-1	<b>Approvals</b>	• UL 1015