



**12-48V Beeper
Sound Reverse Alarm**
#KT81010

www.ktcables.com.au



DESCRIPTION

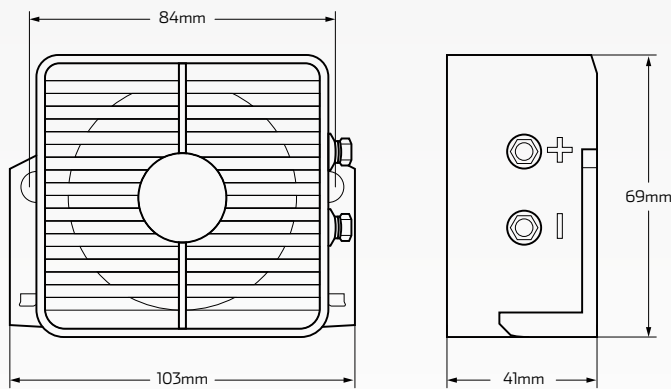
12-48V "Beeper" reverse alarm. Compact design reverse alarm, designed in accordance with SAE J1446 certifications. Produces 97db of "Beep Beep" sound encapsulated in an IP66 weatherproof resistance housing with universal mounting bracket. Sealed in epoxy to protect against dust, moisture & vibration. Ideal for light vehicles, mining & industrial applications.

FEATURES

- Multivolt, 12-48 Volt
- Produces a fixed output of 97dB "Beep Beep" noise
- IP66 dust & weatherproof protection
- Universal mounting bracket, 2 bolt terminal installation
- Sealed in epoxy to further protect against dust, moisture & vibration
- Ideal for light vehicles, mining & industrial applications

TECHNICAL SPECIFICATIONS

Dimension Diagram



Voltage	• 12-48 Volt
Sound Type	• Beeper
Operating Amperage	• 0.1 - 0.5 Amps
Decibles	• 97dB
IP Rating	• IP66 rated
Sounder Unit	• Speaker
Dimensions	• 103mm W x 69mm H x 41mm D
Mounting	• Universal mounting, 2 bolt terminals
Epoxy Sealed	• Yes
Applications	• Light vehicles • Mining applications • Industrial applications