



60 Pos. Power Distribution Module

#QV15310-1-2

www.eaton.com

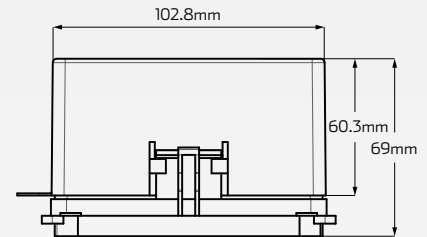
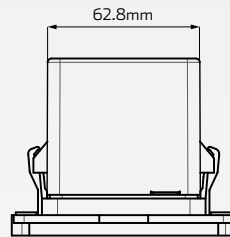
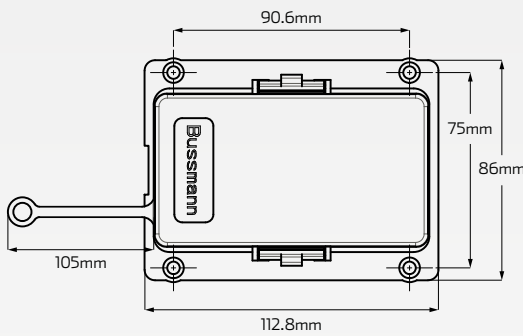
DESCRIPTION

60 open position with no internal bussing power distribution module.

Designed to suit 280 style components such as mini fuses, relays, diodes, etc. Suitable for use in marine, construction & heavy machinery. Rated 30A max per terminal. Comes with tall cover.



DIMENSIONS



TECHNICAL SPECIFICATIONS

Output Rating	• 30A max per terminal	Suitable Fuses	• Mini fuses / ISO 280 relays / mini breakers
Terminal Capacity	• 60 terminal on layout matrix of 6 x 10	Operating Temperature	• -40°C to 125°C
Terminal Base	• 2.8mm blades on 8.1mm centreline spacing	IP Rating	• IP66 (when properly sealed with cover)
Mounting	• Threaded inserts #10-32 (standard) / M5	Wire Size	• #20 - # 12 AWG / 0.5mm ² - 2.5mm ²
Base Material	• Black thermoplastic with red rubber gasket	Cavity Plugs	• Required to fill unused output cavities for IP
Base Features	• Letter/number grid for easy reference	Cable Seals	• Based on overall installed cable diameter
Cover Material	• Black thermoplastic	Approvals	• IEC 529
Cover Features	• Improved latch design & tether strap	Applications	• Marine • Construction • Agriculture • Heavy machinery
Cover Type	• Deep / Tall cover		