

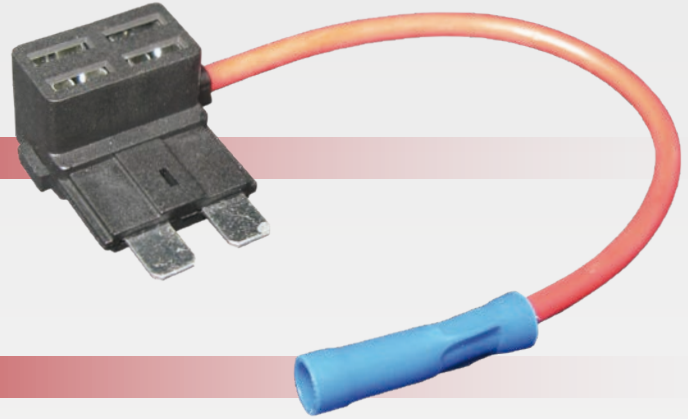
**QVEE**

AUTOMOTIVE | MINING | MARINE

www.qvee.com.au

'Add A Circuit' Standard Blade Fuse Holder

#QVFHA200

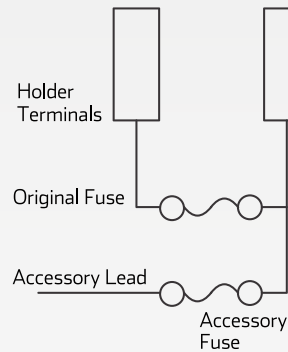


**DESCRIPTION**

'Add A Circuit' inline fuse holder to suit standard blade fuses. Allows you to quickly and easily add a circuit without the need for splicing cables. Fuses are not included.

**TECHNICAL SPECIFICATIONS**

<b>Voltage</b>	• 32 Volt
<b>Cable Size</b>	• 1mm <sup>2</sup> , #16AWG red wire
<b>Max. Amperage</b>	• 10 Amp @ 12V (combined)
<b>Terminal</b>	• Hardened brass crimp-type coupler
<b>Suitable Fuse</b>	• Standard blade fuse
<b>Approvals</b>	• RoHS approved



**Circuit Diagram**

Original fuse protects the original circuit. Inserting a new fuse protects the new accessory circuit powered by the included lead.

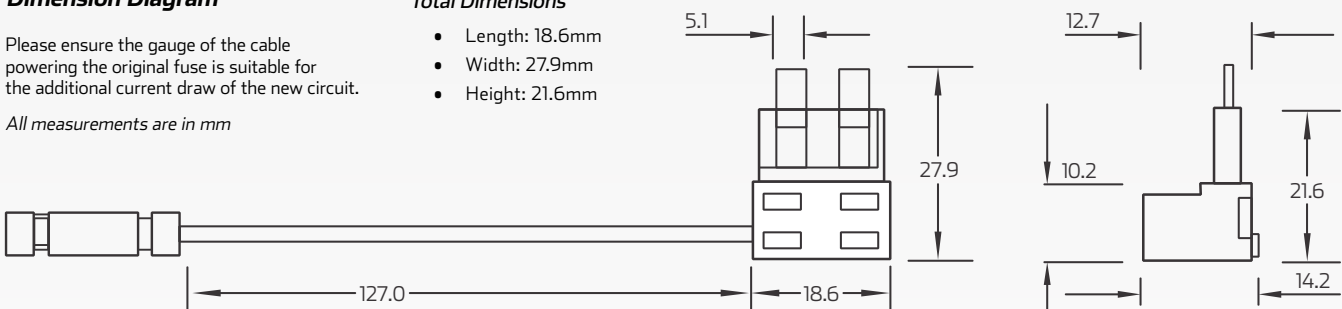
**Dimension Diagram**

Please ensure the gauge of the cable powering the original fuse is suitable for the additional current draw of the new circuit.

All measurements are in mm

**Total Dimensions**

- Length: 18.6mm
- Width: 27.9mm
- Height: 21.6mm



**PART NUMBERS**

Part Number.	Amperage	Pack Quantity	Description
QVFHA200	• 10A @ 12 Volt (Combined)	• 1 fuse holder	• Individual 'Add A Circuit' inline fuse holder to suit standard blade fuse. Fuses are not included.
QVFHA200/10		• 10 fuse holders	• Pack of 10 'Add A Circuit' inline fuse holders to suit standard blade fuses. Fuses are not included.