

**QVEE** In-Line Waterproof Mini Blade Fuse Holder  
AUTOMOTIVE | MINING | MARINE #QVFHM12

www.qvee.com.au

**DESCRIPTION**

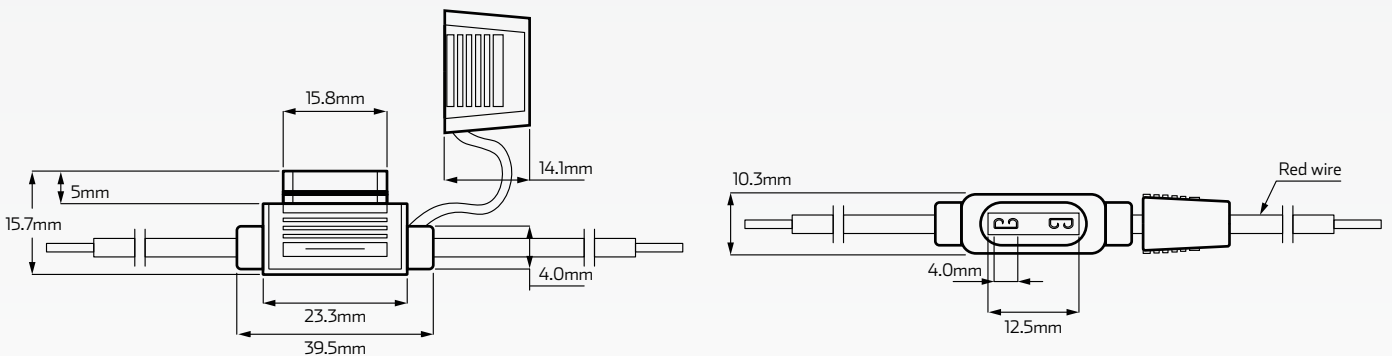
In-line waterproof fuse holder to suit mini blade fuses.  
Suitable for use with mini blade fuses up to 20A.  
Equipped with waterproof fuse cover, tin plated contacts & PVC housing. Comes pre-wired with automotive cable.



**TECHNICAL SPECIFICATIONS**

<b>Suitable Fuse</b>	• Mini (ATM) blade fuse (not included)	<b>Housing Colour</b>	• Black
<b>Voltage Rating</b>	• Up to 32 Volt applications	<b>Contact Material</b>	• Brass with tin plating
<b>Rated Current</b>	• 20 Amps	<b>Weatherproof</b>	• Yes, when cap are properly in place
<b>Operating Temperature</b>	• -40°C to 85°C	<b>Approvals</b>	• UL 1015 approved
<b>Housing Material</b>	• PVC housing		

**DIMENSIONS**



**PART NUMBERS**

Part Numbers	Max. Amperage	Cable Type	Description
QVFHM12	• 20 Amps	• Red, 300mm length	• In-line mini blade fuse holder. Up to 20A fuses. Pre-wired with 300mm red cable.