

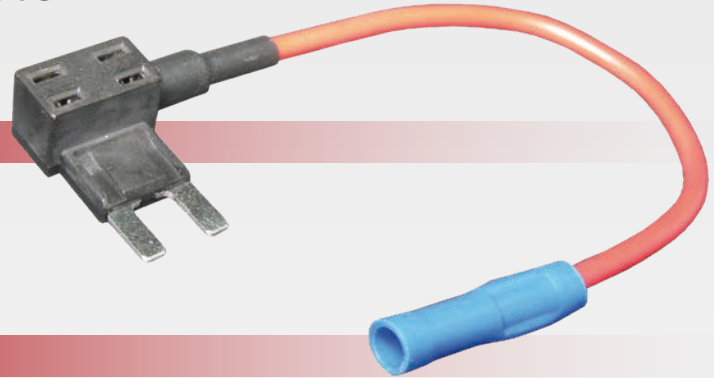
QVEE 'Add A Circuit' Mini Blade Fuse Holder

AUTOMOTIVE | MINING | MARINE #QVFHM200

www.qvee.com.au

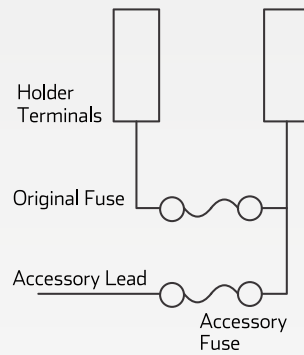
DESCRIPTION

'Add A Circuit' inline fuse holder to suit mini blade fuses. Allows you to quickly and easily add a circuit without the need for splicing cables. Fuses are not included.



TECHNICAL SPECIFICATIONS

Voltage	• 32 Volt
Cable Size	• 1mm ² , #16AWG red wire
Max. Amperage	• 10 Amp @ 12V (combined)
Terminal	• Hardened brass crimp-type coupler
Suitable Fuse	• Mini blade fuse
Approvals	• RoHS approved



Circuit Diagram

Original fuse protects the original circuit. Inserting a new fuse protects the new accessory circuit powered by the included lead.

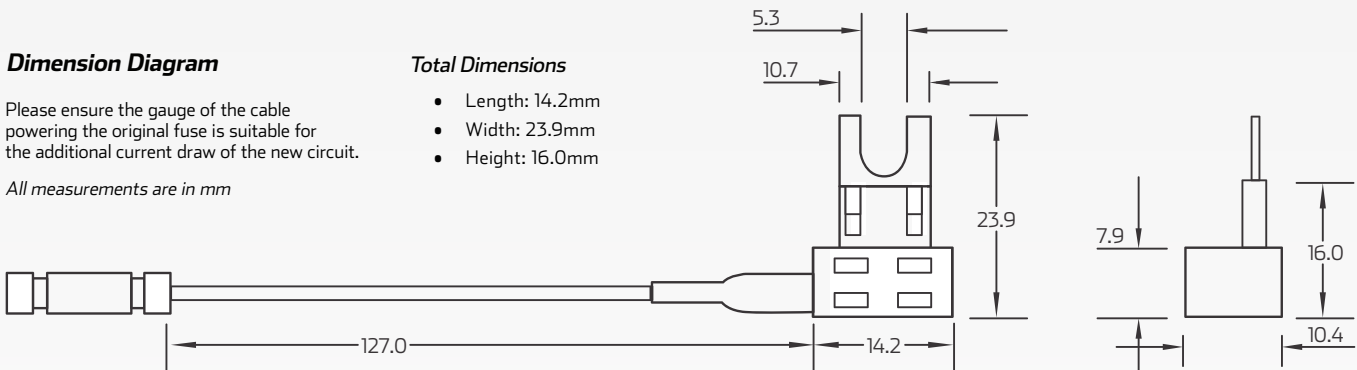
Dimension Diagram

Please ensure the gauge of the cable powering the original fuse is suitable for the additional current draw of the new circuit.

All measurements are in mm

Total Dimensions

- Length: 14.2mm
- Width: 23.9mm
- Height: 16.0mm



PART NUMBERS

Part Number.	Amperage	Pack Quantity	Description
QVFHM200	• 10A @ 12 Volt (Combined)	• 1 fuse holder	• Individual 'Add A Circuit' inline fuse holder to suit mini blade fuse. Fuses are not included.
QVFHM200/10		• 10 fuse holders	• Pack of 10 'Add A Circuit' inline fuse holders to suit mini blade fuses. Fuses are not included.