



**Heavy Duty
Mega Fuse Holder**
#QVFMG-116

www.eaton.com

DESCRIPTION

Heavy duty fuse holder to suit mega fuses.

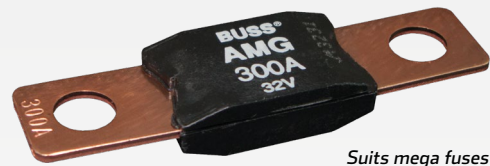
Equipped with a flexible thermoplastic cover and fire retardant up to 94 V-0 UL specifications. Suitable for in-line or surface mount applications. RoHS approved.

Maximum of 500 Amps @ 12 Volt. Fuses not included.



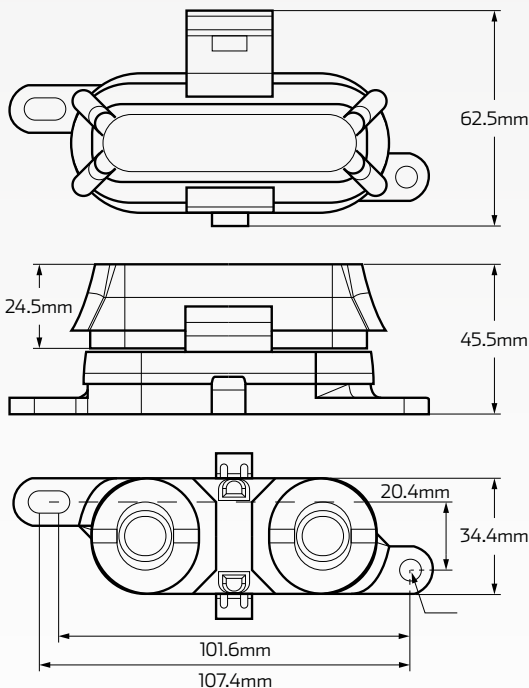
FEATURES

- Withstand up to 500 Amps @ 12 Volt
- Created with black UL 94V-0 rated thermoplastic
- Suitable for in-line or surface mount applications
- Equipped with dust proof cover
- RoHS approved
- Fuses not included



Suits mega fuses

TECHNICAL SPECIFICATIONS



Current Rating	• 500 Amps max
Body Material	• UL 94V-0 rated black thermoplastic
Accessories	• Dust cover & Sems nuts
Stud Size	• M8 stud size
Stud Material	• Zinc plated steel studs
Wire size	• #8 AWG, 8mm ²
Cover Material	• Black flexible thermoplastic elastomer
Dimensions	• 121.4mm L x 45.5mm H x 62.5mm D
Approval	• RoHS approved
Features	• Cables can be wired from most direction towards the studs