

QVEE Midi Fuse Block

AUTOMOTIVE | MINING | MARINE

#QVMIDFBB

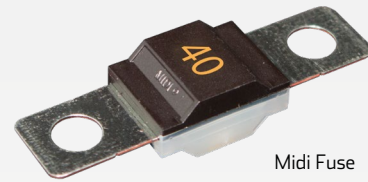
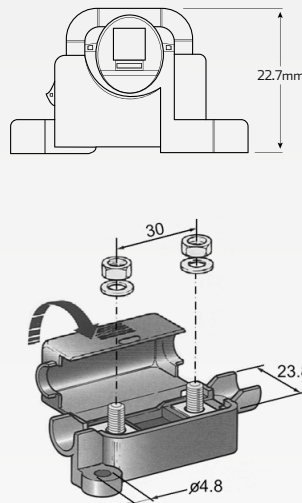
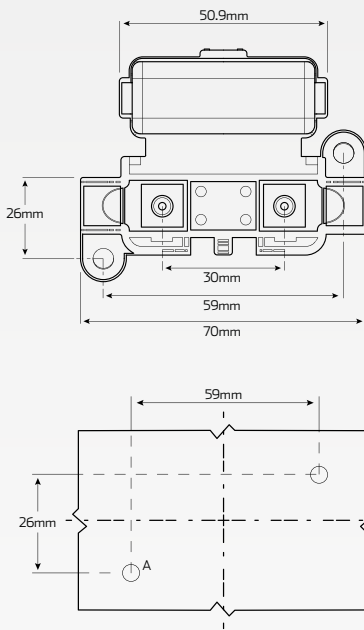
www.qvee.com.au

DESCRIPTION

Heavy duty midi fuse holder to suit midi fuses up to 125A.
Suitable for inline or surface mount applications.
Includes cover and hex nuts.



DIMENSIONS



Midi Fuse

Mounting Dimensions

- A: Ø 4.8mm
- H: 26mm Centre to Centre
- L: 59mm Centre to Centre

* Can be mounted inline or surface

Fuses are not included

TECHNICAL SPECIFICATIONS

Max. Voltage	• Up to 58 Volt DC
Max. Amperage	• Up to 125 Amp
Body Material	• Black PA66
Accessories	• Includes cover & hex nuts
Studs Size	• M5 threaded studs.

Stud Material	• Steel / zinc plated
Dimensions	• 70mm L x 22.7mm H (when closed)
Mounting	• 59mm x 26mm CTC, Ø 4.8mm hole
Approvals	• RoHS