

QVEE 4 Way Midi Fuse Holder
AUTOMOTIVE | MINING | MARINE #QVMIDFH4

www.qvee.com.au

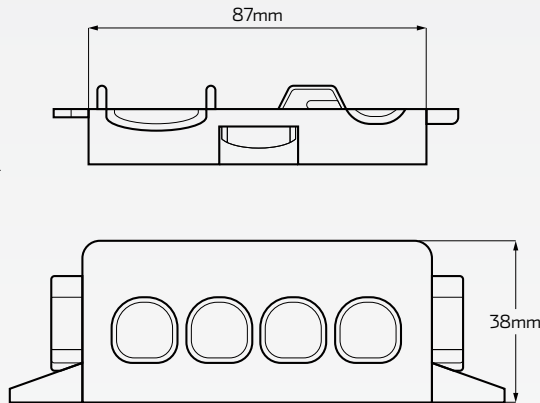
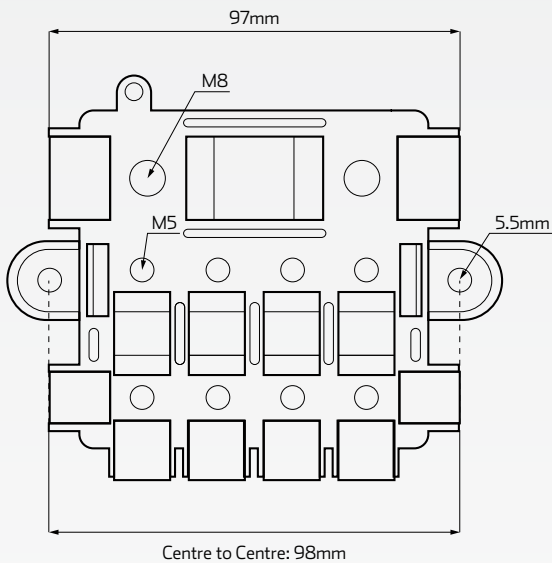
DESCRIPTION

4 way heavy duty midi fuse holder. Allows the installation of 1 mega fuse for a 5 way fuse connection.

Supports electrical applications of up to 200 Amps. Input voltage rated at 32V DC max. Suitable for in-line or surface mount applications. Includes cover and hex nuts.



DIMENSIONS



Suits Midi fuses up to 200A (total)

Fuses are not included

TECHNICAL SPECIFICATIONS

Suitable Fuse	<ul style="list-style-type: none"> • 4 x Midi fuse & 1 x Mega fuse 	Accessories	<ul style="list-style-type: none"> • Includes cover and hex nuts
Max. Voltage Application	<ul style="list-style-type: none"> • Up to 32 Volt applications 	Stud Size	<ul style="list-style-type: none"> • M5 threaded studs (midi fuse) • M8 threaded studs (mega fuse)
Max. Current Application	<ul style="list-style-type: none"> • Up to 200A max @ 12 Volt (total) 	Mounting	<ul style="list-style-type: none"> • 98mm Centre to Centre
Housing Material	<ul style="list-style-type: none"> • Black PPA 		
Cover Material	<ul style="list-style-type: none"> • Black PPA 		