

QVEE
AUTOMOTIVE | MINING | MARINE

Gangable Midi Fuse Holder
#QVMIDFHS

www.qvee.com.au

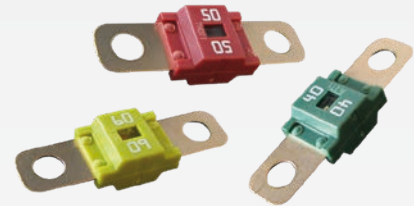
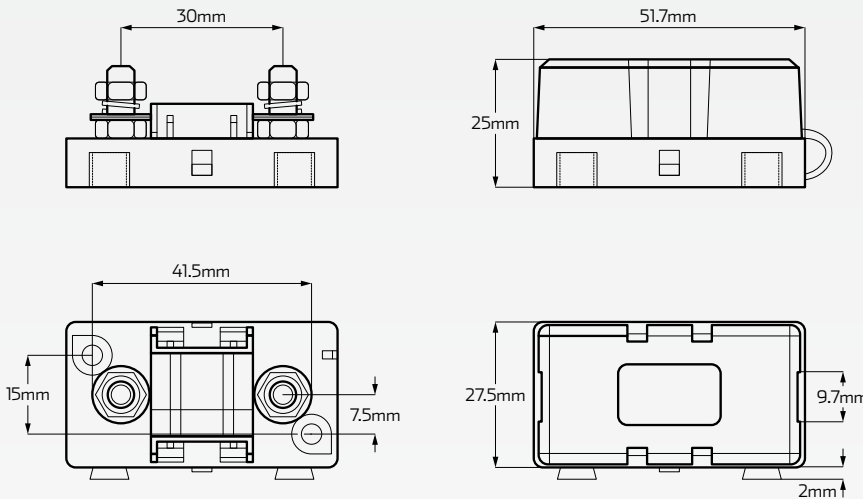
DESCRIPTION

Gangable midi fuse holder.

Supports electrical applications of up to 100 Amps.
Suitable for in-line or surface mount applications.
Includes cover and hex nuts.



DIMENSIONS



Suits Midi fuses up to 100A (total)

Fuses are not included

TECHNICAL SPECIFICATIONS

Suitable Fuse	• Midi fuses (not included)
Max. Voltage Application	• Up to 32 Volt applications
Max. Current Application	• Up to 100A max @ 12 Volt (total)
Housing Material	• Black PA nylon housing/cover
Contact Material	• Steel 304 contacts

Stud Size	• M5 threaded studs
Flammability Protection	• Yes
Accessories	• Includes cover and hex nuts
Approvals	• UL-94 V0 flammability rated