



## 18 Position Power Distribution Module

www.littelfuse.com

#QVPDM31001ZXM

### DESCRIPTION

This 18 position power distribution module provides a compact, durable and sealed power distribution solution for the transportation market. Designed to suit mini blade fuses and micro relays.

Will accept 280 ultra micro relays, 280 micro relays and 280 mini relays. Maximum 30A per circuit.

Includes waterproof cover, mounting bracket and cover seal.

Terminals, seals, cavity plugs, relays and mini fuses sold separately



\* Fuse / circuit breakers & relays not included

### FEATURES

- Cover latches keep the cover sealed and secure
- Compact size allows the unit to be installed in limited spaces
- Ideal for accessory circuits, overflow circuits or main module on smaller vehicles
- Available with or without steel mounting bracket.
- Terminal position assurance locks, gives secondary locking protection of the wire leads

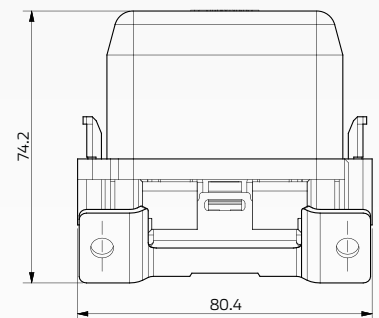
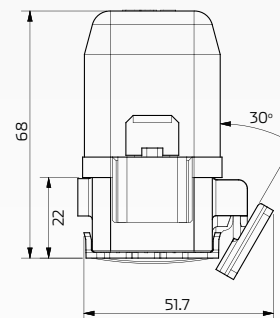
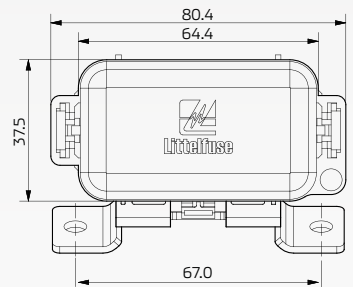
### TECHNICAL SPECIFICATIONS

Max Fuse Rating	• 30 Amp max per terminal
Maximum Fuse Rating	• 30 Amp
Number of Cavities	• 18 (3 x 6 layout matrix)
Mounting Bracket	• Plated steel - 30° angled (standard)
Operating Temperature	• -40°C to 105°C
Body & Cover Material	• Black UL 94V-0 glass filled thermoplastic
IP Rating	• IP67 / IP69K (with cover and seals)
Dimensions	• 80.4mm x 74.2mm x 52.3mm
Wire Sizes	• 0.35 - 5mm <sup>2</sup> (#22 - #10 AWG)
Mating Terminals & Seals	• Delphi Metri-Pack 280 Sealed female TANGED

### DIMENSIONS

Each module includes:

- 1 x Cover & base
- 1 x Cover seal
- 1 x Mounting bracket
- 3 x Secondary terminal locks



\*All dimensions are in mm.