



60 Position Power Distribution Module

#QVPDM60

www.littelfuse.com



DESCRIPTION

This 60 position power distribution module provides a compact, durable and sealed power distribution solution for the transportation market. Designed to suit mini blade fuses and micro relays.

Will accept 280 ultra micro relays, 280 micro relays and 280 mini relays. Maximum 30A per circuit.

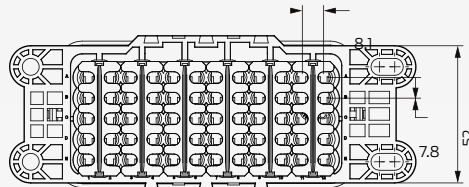
Includes waterproof cover, secondary terminal locks and cover seal.

Terminals, seals, cavity plugs, relays and mini fuses sold separately

- The elimination of internal bussing, allows user to customize their own circuitry with direct wire to component connections
- Easy to connect. Wires plug into the back of the unit using industry standard Delphi Metric-Pack Series 280 tanged terminals.
- Compact size. PDM is perfect fit for accessory circuits, overflow circuits from main PDM or as main module on smaller vehicle
- Modular. Multiple Littlefuse PDMs and fuse holders can be interlocked
- Terminal position assurance locks, gives secondary locking protection of the wire leads, which aid in prevention of leads from being pulled out

Each module includes:

- 1 x Cover with seal
- 1 x Base
- 6 x Secondary terminal locks (TPA)

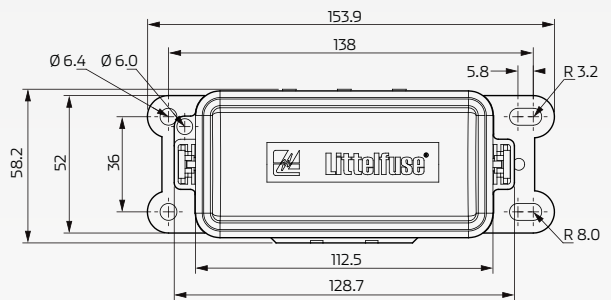
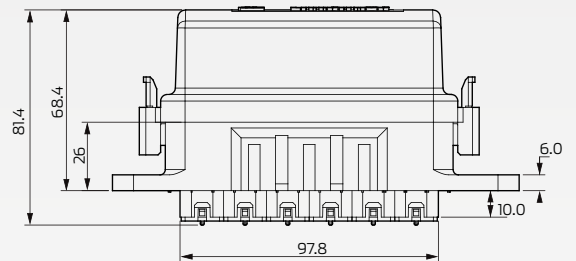


TPA shown installed

*All dimensions are in mm.



Fuse / circuit breakers & relays not included



TECHNICAL SPECIFICATIONS

Terminal Rating	• 30 Amp max per circuit	Recommended Mounting	• M6 bolts and lock washers
Max Fuse Rating	• 30 Amp	IP Rating	• IP67 / IP69K (with cover and seals)
Number of Cavities	• 60	Dimensions	• 154mm x 59mm x 82mm
Temperature Rating	• -40°C to 85°C	Wire Sizes	• 0.35 - 5.00mm ² (#22 - #10 AWG)
Torque Rating	• 4 - 6 Nm (with M6 bolt & lock washers)	Mating Terminals & Seals	• Delphi Metri-Pack 280 Sealed female (tanged)