



**AMP Superseal  
1 Circuit Connector Kit**  
#SSKIT1

www.te.com



**DESCRIPTION**

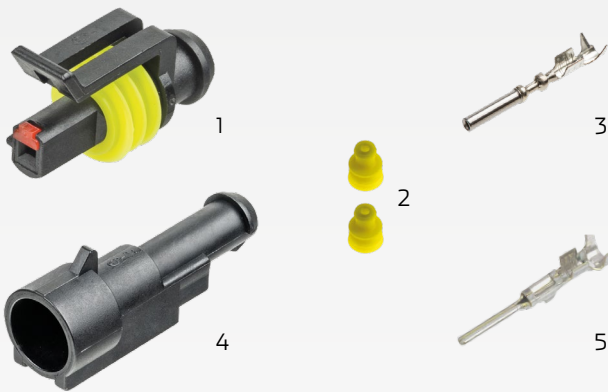
1 circuit Superseal connector kit.

Superseal connectors have a compact design and are environmentally sealed to IP67. Polyamide housing with silicon seals and tin-plated copper contacts. Features a secure locking clip and locking index pin to prevent mismatching. Rated at 14A per circuit.

Perfect for truck, bus, marine, agriculture and off road vehicles.

- 24 Volt DC maximum voltage applications
- Rated at 14A per circuit with 1.5mm<sup>2</sup> wire
- Up to 125°C maximum operating temperature
- IP67 waterproof and weatherproof protection
- Intergrated latch in housing

**COMPONENTS**



No.	Part No.	Description
1	• QV282079-2	• 1 circuit male housing to take female sockets
2	• WS2819342	• Yellow cable seal
3	• TF1830251	• Female socket. Takes 3-4mm auto cable
4	• QV282103-1	• 1 circuit female housing to take male pins
5	• TM1830241	• Male pin. Takes 3-4mm auto cable

**TECHNICAL SPECIFICATIONS**

<b>Max. Voltage</b>	• 24V Max Applications
<b>Current Rating</b>	• 14A Max with 1.5mm <sup>2</sup> Wire
<b>Operating Temperature</b>	• -40°C to 125°C
<b>Approvals</b>	• IEC 529 / ISO 20653
<b>Contact Material</b>	• Tab Contacts: Brass • Receptacle Contacts: Phosphor Bronze (Both contacts are pre-tin plated)

<b>IP Rating</b>	• IP67, IPX6K, IPX9K
<b>Housing Material</b>	• PA 6.6, Glassfiber Filled
<b>Radial Sealing</b>	• Liquid Silicone Rubber
<b>Contact Resistance</b>	• <= 3mΩ on new contacts (limit)
<b>Insulation Resistance</b>	• >= 200MΩ on new contacts (limit)